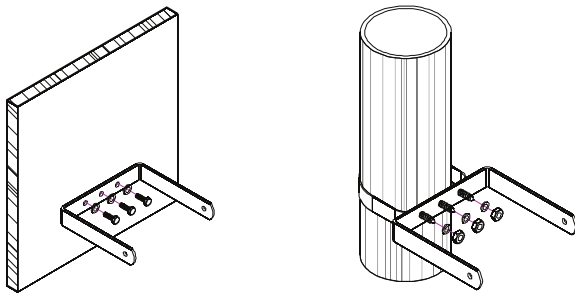
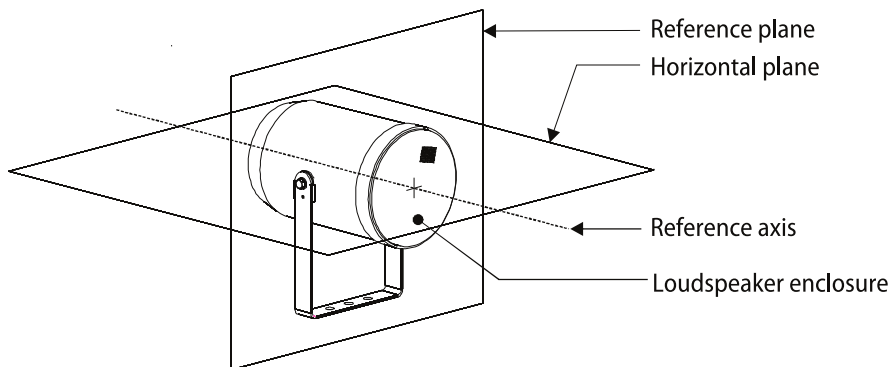
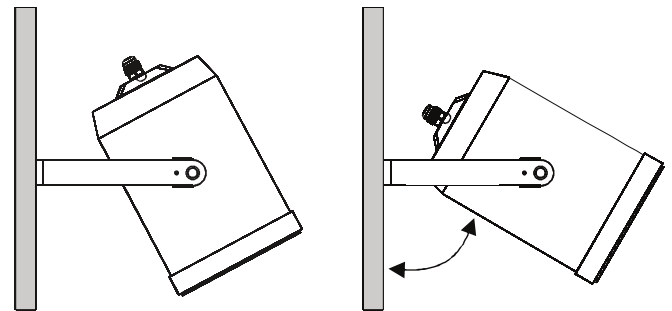


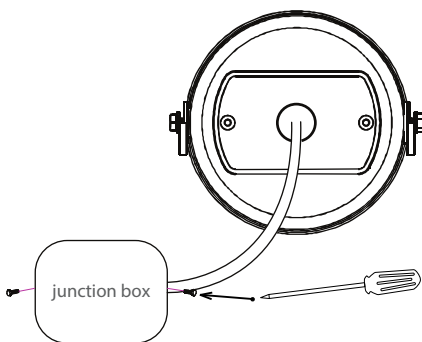
EN54-24:2008
1438-CPD-0507
TYPE B



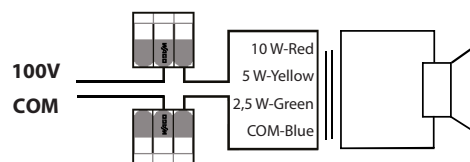
1) Remove the "U" bracket from the speaker. Drill the mounting location holes for the unit in line with the "U" bracket (2 holes 30 millimeters apart) in the surface where the loudspeaker is to be located.



3) Re-fit the speaker to the "U" bracket. Position the speaker to the desired angle then tighten the fixings to secure in place. Before connecting the speaker circuit to the power amplifier we strongly advise that the impedance of the circuit is checked to ensure it is fault free in order to prevent damage to the speaker and or amplification.



2) Connect speaker cable to audio line inside the electrical junction box, by using compact splicing connector WAGO 221. Speaker's cable color and power: blue - COM, green - 2.5W, yellow - 5W, red - 10W. At the end of installation conjunction box cover must be fixed with two self-tapping screws.



SP 10EN Circuit diagram