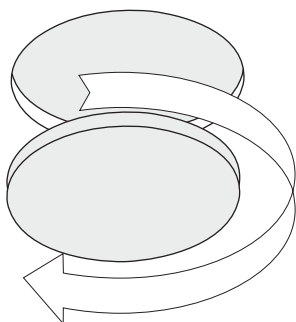


# MC 4T / MC 4TA / MC 5T / MC 5 Metal ceiling loudspeakers



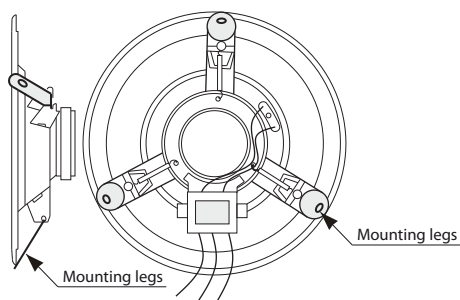
## INSTALLATION MANUAL

①

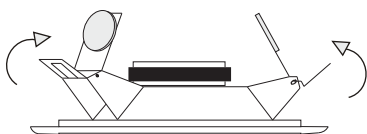


1. Cut out  $\varnothing$  155 mm hole for MC 4T(A)  
and  $\varnothing$  181 mm for MC 5T,

②



2. Lift connected speaker mounting legs,



③



3. Carefully push speaker into cut hole.