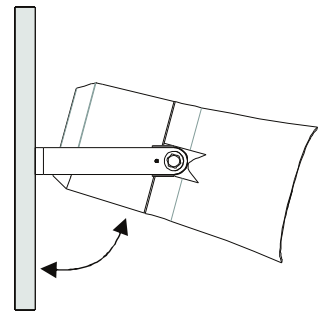
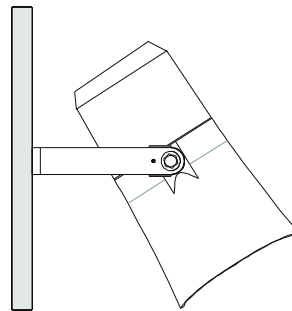
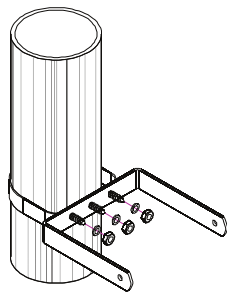
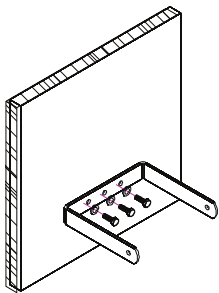
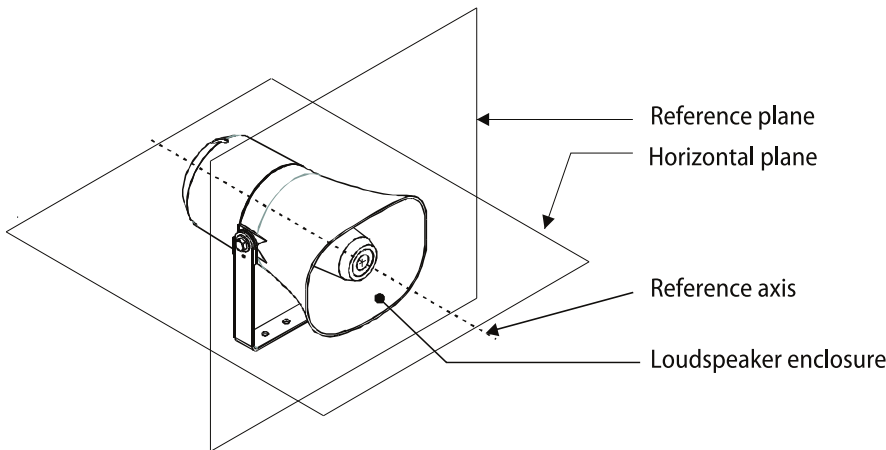
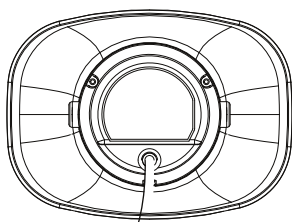


EN54-24:2008  
1438-CPR-0550  
TYPE B



1) Remove the "U" bracket from the speaker. Align the bracket and mark the fixing points. Fix the bracket using suitable fixings (Not supplied).

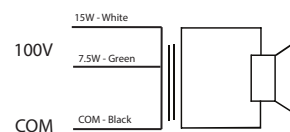
3) Re-fit the speaker to the "U" bracket. Position the speaker to the desired angle then tighten the fixings to secure in place.  
Before connecting the speaker circuit to the power amplifier we strongly advise that the impedance of the circuit is checked to ensure it is fault free in order to prevent damage to the speaker and or amplification.



junction box

Junction box and terminal block are included in the package.

2) Connect speaker cable to audio line inside the electrical junction box, by using block terminal. The unused power tap should be isolated or fixed to free terminal block pin. Speaker's cable color and power: Black - COM, green - 7.5W, white - 15W.



**HQ 15EN Circuit diagram**