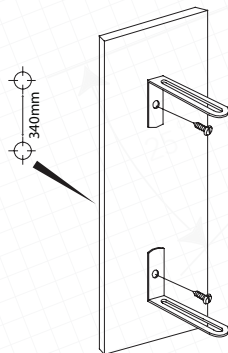


COM SLIM 30 column loudspeakers

Package contains:

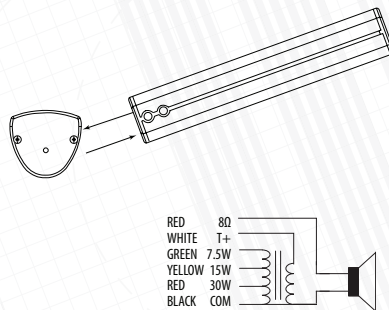
Loudspeaker	1pc.
Bracket	2pcs.
Cable gland	2pcs.
Fixing tool	1pcs.
Screw	2pcs.
Washer	4pcs.

①



Fix mounting bracket on solid surface (recommended distance between brackets center holes 340mm)

②



Remove the bottom cover and install the cable glands. Insert the cable into the cable gland and connect the cable to terminal block. Select desired power from table (transformer power tap meanings and wire colors are marked on the label). Close bottom cover.

③



Mount speaker with screws to brackets.

Please pay attention: Mount the loudspeaker on the reliable base only.