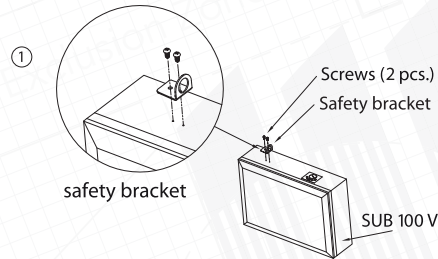


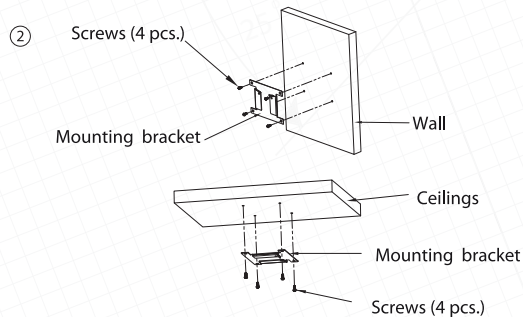
# SUB 100 V Passive subwoofer

## Package contains:

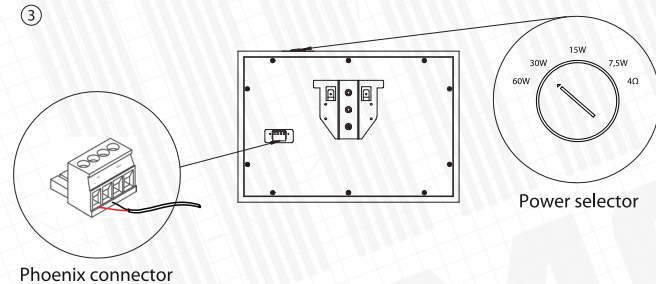
- Subwoofer 1 pc.
- Safety bracket 1 pc.
- Screws 2 pcs.



1. If needed fix safety bracket on the subwoofer by using two wood screws. To ensure safety, fix subwoofer by using safety rope to the reliable base. Safety rope is not supplied and should be purchased separately.



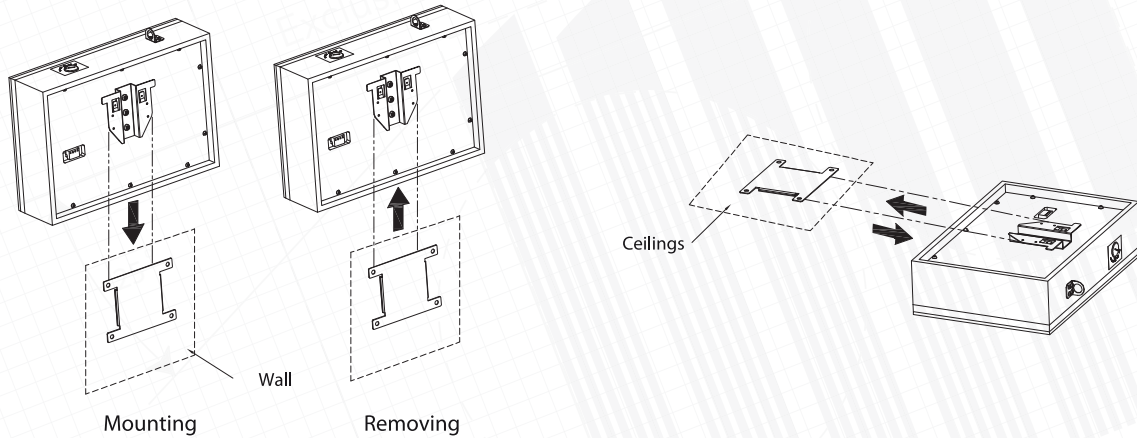
2. Fix subwoofer bracket on solid surface. Please use the proper screws for your wall or ceiling type.



3. Connect audio cable to phoenix connector and set up right transformers power. Please take attention to polarity. 4 Ω power tap should be used with low impedance amplifier.

# SUB 100 V Passive subwoofer

④



4. Put subwoofer on the mounting bracket and push it down till click sound appears. Please ensure that subwoofer is mounted reliable. Lift subwoofer strongly in order to release the lock and move it from mounting bracket.