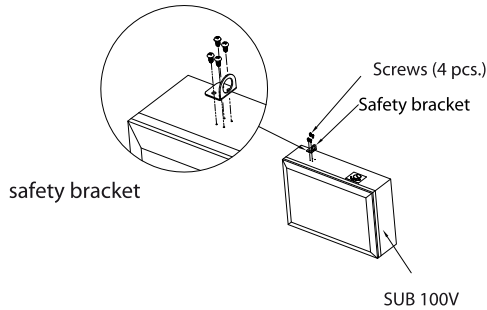


INSTALLATION MANUAL

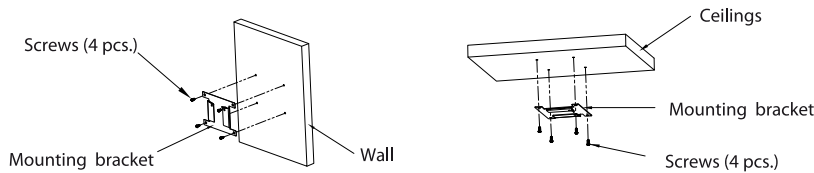
①



1. Fix safety bracket on the subwoofer by using four wood screws. To ensure safety, fix subwoofer by using safety rope to the reliable base. Safety rope is not supplied and should be purchased separately.

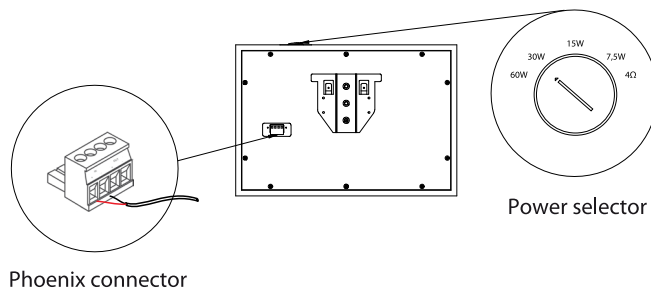
2. Fix subwoofer bracket on solid surface. Please use mounting hardware proper to your wall or ceilings type.

②

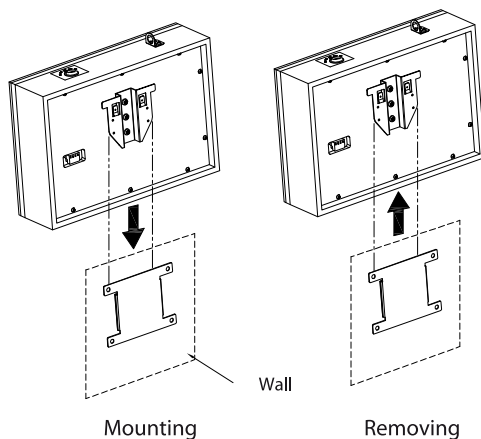


3. Connect audio cable to phoenix connector and set up right transformers power. Please take attention to the polarity! 4Ω power tap can be set the only case - if you are using low impedance amplifier.

③



④



4. Put subwoofer on the mounting bracket and push it down till click sound appears. Please ensure that subwoofer is mounted reliable. Lift subwoofer strongly in order to release the lock and move it from mounting bracket.

