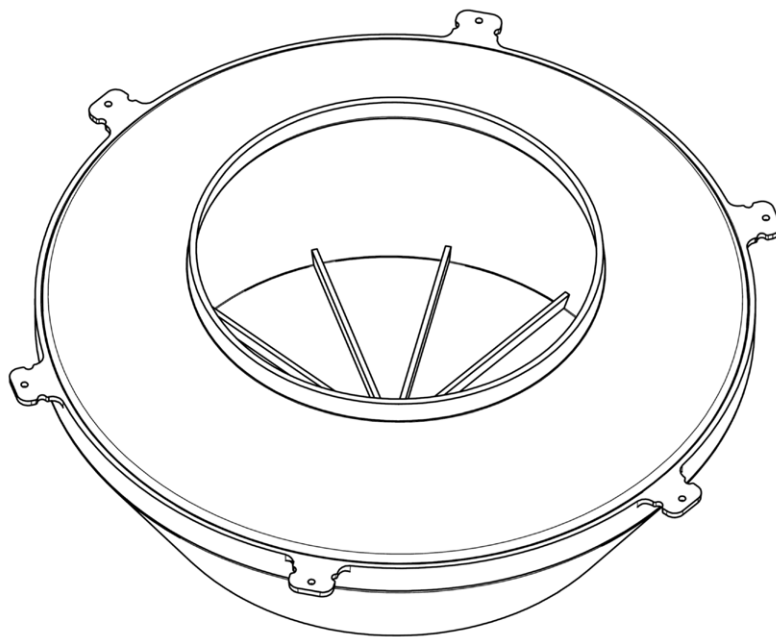


# proDOME175 & proDOME240

proDOME175® and proDOME240® are ideally suited as concrete pot for AMC ceiling loudspeakers.

Functional design consists of two parts which can be easily assembled by hand.

The concrete pot can be used for installations in plasterwork and exposed concrete.



| Product Name            | proDOME175®                                          | proDOME240®               |
|-------------------------|------------------------------------------------------|---------------------------|
| Dimensions              | 350 mm (W) x 128 mm (D)                              | 350 mm (W) x 117.4 mm (D) |
| Cut-out hole diameter   | Ø175 mm                                              | Ø240 mm                   |
| Material                | Reinforced glassfiber<br>Polypropylen (halogen-free) |                           |
| Temperature range       | -30° to +100° C                                      |                           |
| Fire behavior           | Self-extinguishing (HB) to UL94                      |                           |
| Compatible loudspeakers | PCR 5, PCR 5T, EVAC 6                                | PCR 8, PCR 8T             |